

UNDERWATER LIGHT

LED Light

P-48



- 75° flood light
- 10,560 lumens
- 1000 m (3280 ft) depth rating
- 18-60 VDC input
- EIA-485 (RS485) or Ethernet Control
- Over temperature shutdown ensuring long lamp life

DURABLE

Designed for long-term deployments

ZERO MAINTENANCE LAMP

>50,000 hours of continuous use

ULTRA BRIGHT

48 LEDs produce >10,000 lumens of light

SMART CONTROL

Light can be controlled via EIA-485 (RS485) link or Ethernet (specified at time of order)

WIDE VOLTAGE INPUT

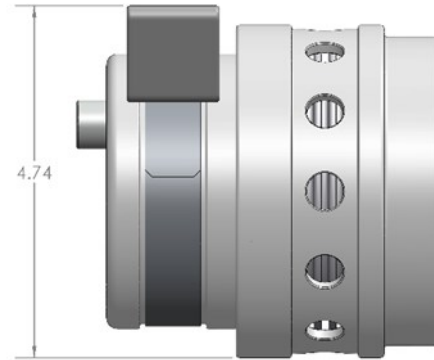
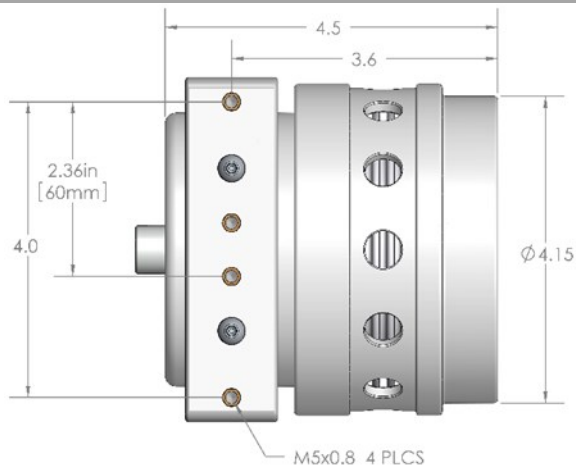
18-60VDC input



UNDERWATER LIGHT

LED Light

P-48



MECHANICAL

Body Material	Acetal and hard anodized 6061 aluminum with Teflon Coating
Window Material	Optical grade polycarbonate
Mounts	Acetal

DIMENSIONS

Diameter	121 mm (4.75 in)
Overall Length	114 mm (4.5 in)
Air Weight	1.40 kg (3.09 lbs)
Water Weight	TBD kg (lbs)

ENVIRONMENTAL

Rated depth	1000 m (3280 ft)
Test Pressure	TBD
Crush Depth	TBD
Operating Temperature	-10 - 40 °C (14 - 104 °F)
Storage Temperature	-20 - 70 °C (-4 - 158 °F)

OPTICAL

Luminous Flux	10,560
Spatial Radiation Pattern	75° FWMH ¹
Illuminance at 1m (0°)	3780 lux
Correlated Color Temperature (CCT)	6500K
Color Rendering Index	70
Lamp Life	>50,000 hours ²

ELECTRICAL

Input Voltage	18 - 60 VDC
Maximum Power	104 W

COMMUNICATIONS / CONTROL

Interface	Isolated EIA-485 (RS-485)
-----------	---------------------------

1. FWHM - Full width half max, the solid angle of the lighting in which the illuminance is greater than 50% of the maximum illuminance of the light
2. 70% lumen maintenance at 50000 hours as per IES LM-80 (Lifetime for solid-state lighting devices (LEDs) is defined in terms of lumen maintenance—the percentage of initial light output remaining after a specified period of time)